

VITODENS 200-W

B2HB Series

Vitodens 200-W		B2HB 45 B2HB051	B2HB 57 B2HB052	
----------------	--	--------------------	--------------------	--

General Info	Price List Section:	2.2		
	Parts Catalog Section	10		
	Start Date	9/2015 -		
	End Date	present		
	Applies to serials nos. beginning with:	7554703...	7554704...	
	As at:	04/08/2016 02		

Parts List

Please refer to: Parts List
Pos. Description

Parts for Main Enclosure Assembly

0001	Cover Panel, boiler
0002	Nameplate "Viessmann"
0003	Mounting Clip (Set of 2)
0004	Cover Panel, electronics
0005	Ctrl Housing
0006	Mounting Rail, left
0007	Mounting Rail, right
0008	Cover Panel
0009	Wall-Mount Bracket
0010	Support Bracket, right
0011	Support Bracket, left
0012	Leveling Bolt
0013	Electrical Box
0014	Electrical Box Cover

Parts for Pressure Vessel Assembly

0001	Vent Pipe Adaptor 80/125
0002	Gasket (Flue Gas), D80
0003	Test Port Cap (Set of 2)
0004	Heat Exchanger Assly, ASME
0005	Flue Baffle
0006	Comb.Chbr.Refr.
0008	Flue Gas Collector (w gskt)
0009	Gasket (Flue Gas Collector)
0010	Sensor #15 (Flue Gas)
0011	Gas Connection Pipe
0012	Gaskets NG/LP (Set of 5)
0013	Sealing Grommet
0014	P-Trap
0015	Grommet (P-Trap)
0016	Condensate Drain Kit
0017	Pipe Clamp DN25 (Set of 5)
0018	Condensate Flex Hose (exit)
0019	Extension Pipe 1" NPT (gas)
0020	O-Ring (Set of 5, 24X2.5)
0021	Connector D21 G¾ (NG/LP)

Part Numbers / Price Categories

7833 654 ²⁰	7833 654 ²⁰		
7839 162 ⁹	7839 162 ⁹		
7817 500 ³	7817 500 ³		
7839 757 ²⁶	7839 757 ²⁶		
7833 699 ¹⁴	7833 699 ¹⁴		
7836 183 ¹¹	7836 183 ¹¹		
7836 184 ¹¹	7836 184 ¹¹		
7833 473 ¹³	7833 473 ¹³		
7826 547 ⁷	7826 547 ⁷		
7844 902 ¹⁶	7844 902 ¹⁶		
7844 903 ¹⁶	7844 903 ¹⁶		
7835 110 ¹⁰	7835 110 ¹⁰		
7843 568 ^{Other}	7843 568 ^{Other}		
7843 569 ^{Other}	7843 569 ^{Other}		

7844 904 ¹⁶	7844 904 ¹⁶		
7844 905 ⁶	7844 905 ⁶		
7822 742 ⁶	7822 742 ⁶		
7844 906 ⁷⁸	7844 906 ⁷⁸		
7844 907 ²²	7844 907 ²²		
7844 908 ¹⁴	7844 908 ¹⁴		
7844 910 ¹⁴	7844 910 ¹⁴		
7844 911 ¹²	7844 911 ¹²		
7822 767 ⁸	7822 767 ⁸		
7844 912 ¹⁴	7844 912 ¹⁴		
7831 673 ⁷	7831 673 ⁷		
7819 745 ⁴	7819 745 ⁴		
7843 045 ¹¹	7843 045 ¹¹		
7843 046 ⁸	7843 046 ⁸		
7836 593 ¹⁷	7836 593 ¹⁷		
7827 429 ⁶	7827 429 ⁶		
7839 794 ⁷	7839 794 ⁷		
7839 718 ¹³	7839 718 ¹³		
7839 650 ⁸	7839 650 ⁸		
7839 649 ¹³	7839 649 ¹³		continued

VITODENS 200-W

B2HB Series

Vitodens 200-W		B2HB 45 B2HB051	B2HB 57 B2HB052	
----------------	--	--------------------	--------------------	--

General Info	Price List Section:	2.2
	Parts Catalog Section	10
	Start Date	9/2015 -
	End Date	present
	Applies to serials nos. beginning with:	7554703... 7554704...
	As at:	04/08/2016 02

Parts List

Please refer to: Parts List
Pos. Description

Part Numbers / Price Categories

Parts for Burner Assembly

0001	Burner Gasket, 299x5.6mm
0002	Insulating Ring
0003	Burner Tube
0004	Gasket (Burner Tube)
0005	Ignition Electr. w Gskt
0006	Ionization Electr. w Gskt
0007	Flapper
0008	Radial Fan RG148 120/1/60
0009	Gas Valve CES10 (w Gskt)
0010	Burner Mounting Flange Assly
0011	Ignition Module
0012	Gasket (Ioniz. Electrode)
0013	Gasket (Ignition Electrode)
0014	Ground Terminal (Set of 10)
0015	Orifice
0016	Bracket (Set of 3)
0017	Mounting Plate (Ign.Module)
0018	Turbulator Disc
0019	Venturi Ext. w Gskt
0020	Sight Glass
0021	Access. Pack (Bnrn Scr,Set 6)

7836 178 ¹⁴	7836 178 ¹⁴		
7844 913 ¹⁶	7844 913 ¹⁶		
7856 196 ²¹	7856 196 ²¹		
7826 524 ⁶	7826 524 ⁶		
7829 798 ¹⁰	7829 798 ¹⁰		
7836 489 ¹³	7836 489 ¹³		
7835 111 ¹⁰	7835 111 ¹⁰		
7842 420 ³⁹	7842 420 ³⁹		
7839 704 ²¹	7839 704 ²¹		
7844 914 ²⁹	7844 914 ²⁹		
7839 612 ¹³	7839 612 ¹³		
7827 031 ⁶	7827 031 ⁶		
7827 025 ⁶	7827 025 ⁶		
7819 839 ⁶	7819 839 ⁶		
7833 980 ⁶	7833 980 ⁶		
7839 706 ⁹	7839 706 ⁹		
7839 600 ⁶	7839 600 ⁶		
7836 209 ¹²	7836 209 ¹²		
7827 962 ⁹	7827 962 ⁹		
7843 269 ¹⁶	7843 269 ¹⁶		
7844 909 ⁸	7844 909 ⁸		

Parts for Hydronic Assembly

0001	O-Ring (Set of 3, ht.exch)
0002	Conn. Pipe 1 (htg rtn)
0003	Air Vent, G3/8"
0004	Air Bleed Header
0005	Gasket 1 1/4 (Set of 5)
0006	Conn. Pipe 2 (htg rtn)
0007	O-Ring (Set of 5, supp/ret)
0008	Extension Pipe (supp/ret)
0009	Connector D32 (htg.supp)
0010	Press. Gage (PSI) w clip/gskt
0011	O-Ring (Set of 5, 8x2)
0012	Clip D=8 (Set of 5)
0013	Sealing Grommet (each)
0014	Conn. Pipe (htg supp)
0015	Flow Switch VK332M
0016	Sensor #3 (Boiler, Set of 2)

7835 467 ⁵	7835 467 ⁵		
7844 915 ¹⁴	7844 915 ¹⁴		
7819 971 ⁷	7819 971 ⁷		
7831 455 ²⁰	7831 455 ²⁰		
7835 225 ⁶	7835 225 ⁶		
7844 916 ¹⁴	7844 916 ¹⁴		
7839 721 ⁸	7839 721 ⁸		
7839 722 ¹⁵	7839 722 ¹⁵		
7839 748 ¹³	7839 748 ¹³		
7839 723 ¹¹	7839 723 ¹¹		
7831 409 ⁸	7831 409 ⁸		
7827 943 ⁶	7827 943 ⁶		
7839 724 ⁷	7839 724 ⁷		
7844 917 ¹⁵	7844 917 ¹⁵		
7826 542 ¹²	7826 542 ¹²		
7835 112 ¹³	7835 112 ¹³		continued

VITODENS 200-W

B2HB Series

Vitodens 200-W		B2HB 45 B2HB051	B2HB 57 B2HB052	
----------------	--	--------------------	--------------------	--

General Info	Price List Section:	2.2
	Parts Catalog Section	10
	Start Date	9/2015 -
	End Date	present
	Applies to serials nos. beginning with:	7554703... 7554704...
	As at:	04/08/2016 02

Parts List

Please refer to: Parts List
Pos. Description

Part Numbers / Price Categories

Parts for Control Assembly

0001	Control Console
0002	Ctrl Housing, Rear
0003	Coding Plug
0004	Fuse, T6.3A/250V (Set of 10)
0005	Fuse Holder
0007	Vitotronic 200 HO1B
0008	Communication Module (LON)
0009	Circuit Board (LON Module Adaptor)
0010	Cable Harness X8/X9/Ioniz.
0011	Cable Harness 100/35/54/PE
0013	Counter Plug Neptune
0014	Strain Relief (Set of 10)
0015	Locking Assly (left/right)
0016	Sensor #1 (outdoor, NTC)
0017	Circuit Board (exp. functions)
0020	Power/Pump Ctrl Module
0021	Replacement Extension Module EA1
0022	Fuse, 2.0A/250V (Pkg of 10)
0023	Harness Set, PPC Module

7849 643 ⁴⁸	7849 643 ⁴⁸		
7841 005 ¹⁸	7841 005 ¹⁸		
7861 055 ⁸	7861 056 ⁸		
7404 365 ⁶	7404 365 ⁶		
7823 502 ⁴	7823 502 ⁴		
7841 544 ²⁶	7841 544 ²⁶		
7179 113 ³³	7179 113 ³³		
7823 033 ¹⁰	7823 033 ¹⁰		
7844 963 ¹²	7844 963 ¹²		
7839 495 ¹²	7839 495 ¹²		
7837 898 ¹²	7837 898 ¹²		
7823 516 ⁶	7823 516 ⁶		
7831 618 ¹³	7831 618 ¹³		
7837 053 ²¹	7837 053 ²¹		
7509 610 ¹⁶	7509 610 ¹⁶		
7839 389 ³²	7839 389 ³²		
7509 475 ²⁴	7509 475 ²⁴		
7404 363 ⁶	7404 363 ⁶		
7839 397 ¹⁷	7839 397 ¹⁷		continued

VITODENS 200-W

B2HB Series

Vitodens 200-W		B2HB 45 B2HB051	B2HB 57 B2HB052	
----------------	--	--------------------	--------------------	--

General Info	Price List Section:	2.2
	Parts Catalog Section	10
	Start Date	9/2015 -
	End Date	present
	Applies to serials nos. beginning with:	7554703... 7554704...
	As at:	04/08/2016 02

Parts List

Please refer to: Parts List
Pos. Description

Part Numbers / Price Categories

Parts for Installation Set

0100	Installation Set, B2HA 45-100
0101	Nipple, ¾" x 1 ½"
0102	Sediment Faucet, ¾"
0103	Tee, ¾"
0104	Nipple, ¾" x 3 ½"
0105	Red.Tee, 1 ½" x 1 ½" x ¾"
0106	Gas Ball Valve
0109	Access. Pack (Mtl.Stud Mt.Kit)
0110	Access. Pack (Venting Fasteners)
0111	Sensor #1 (outdoor, NTC)
0112	Pr.Rel Valve (Conbr.) ¾" (FF) 30PSI
0113	Pr.Rel Valve (Conbr.) ¾" x ¾" 45PSI
0114	Pr.Rel Valve (Conbr.) ¾" x ¾" 60PSI
0116	Keychain w Air Bleed Key "Viessmann mth"
0117	Thermometer (Winters) 2" 30-250°F
0119	Sensor #5 (LLH, Immersion NTC)
0120	Tech Lit Set B2HB 45/57
0121	Install. Instr. B2HB 45/57
0122	Service Instr. B2HB 45/57
0123	Oper. Instr./User's Info. B2HA/B2TA/HO1B
0124	Parts List B2HB 45/57
0125	Parts List B2HA inst.set
0130	Install. Instr. Vent.Sys (Coax) 2013
0131	Install. Instr. Vent.Sys (Flex) 2013
0140	Warranty Sheet Condensing, Resid v2
0150	Conv. Kit NG > LP
0160	Touch-UP Spray Paint "Vitowhite"
0161	Touch-UP Paint Stick "Vitowhite"
0162	Lubricant 6g

7529 679 ^{Other}	7529 679 ^{Other}	
9543 294 ⁴	9543 294 ⁴	
9653 664 ⁵	9653 664 ⁵	
9544 337 ⁴	9544 337 ⁴	
9543 293 ⁴	9543 293 ⁴	
9549 661 ⁸	9549 661 ⁸	
7424 391 ⁷	7424 391 ⁷	
7134 206 ⁶	7134 206 ⁶	
7455 794 ⁸	7455 794 ⁸	
7508 904 ¹¹	7508 904 ¹¹	
9542 940 ⁸	9542 940 ⁸	
9549 944 ¹¹	9549 944 ¹¹	
9560 183 ¹¹	9560 183 ¹¹	
9561 042 ^{Other}	9561 042 ^{Other}	
9653 218 ¹³	9653 218 ¹³	
7179 488 ²⁰	7179 488 ²⁰	
7659 530 ^{Other}	7659 530 ^{Other}	
5680 493 ^L	5680 493 ^L	
5680 495 ^L	5680 495 ^L	
5683 712 ^L	5683 712 ^L	
5682 546 ^L	5682 546 ^L	
5774 184 ^L	5774 184 ^L	
5774 552 ^L	5774 552 ^L	
5774 554 ^L	5774 554 ^L	
5348 723 ^L	5348 723 ^L	
7542 022 ⁴	7542 022 ⁴	
7822 681 ⁹	7822 681 ⁹	
7822 682 ⁶	7822 682 ⁶	
7819 602 ⁶	7819 602 ⁶	

Notes:

- "n.a." indicates not applicable.
- "W" indicates wearing part (service).
- "L" indicates literature (no charge).
- "Kit" or "Other" indicates that this is not a Price Category item; contact Inside Sales for pricing.
- "D" indicates discontinued.

Parts List



VITODENS 200-W B2HB Series

Model No.	Serial No.
B2HB 45 Boiler	7554703□□□□□□□□
B2HB 57 Boiler	7554704□□□□□□□□

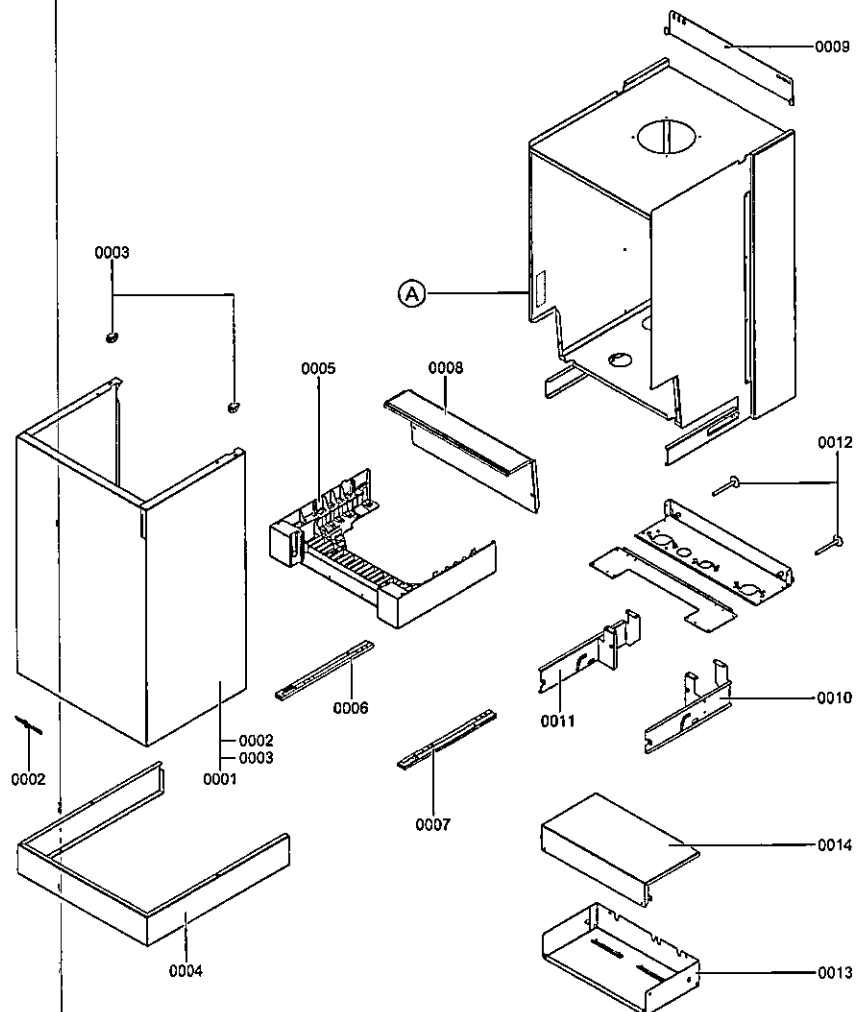
Ordering Parts:
Please provide Model and Serial Number **(A)** when ordering replacement parts. Order replacement components from your Viessmann distributor.

Parts for Main Enclosure Assembly

- 0001 Cover panel, boiler
- 0002 Nameplate "Viessmann"
- 0003 Mounting clip (set of 2)
- 0004 Cover panel, electronics
- 0005 Control housing
- 0006 Mounting rail, left
- 0007 Mounting rail, right
- 0008 Cover panel
- 0009 Wall-mount bracket
- 0010 Support bracket, right
- 0011 Support bracket, left
- 0012 Leveling bolt
- 0013 Electrical box
- 0014 Electrical box cover

Other Parts (not illustrated)

- 0100 Installation Set *1
- 0120 Technical Literature Set
- 0121 Installation Instructions, Vitodens 200-W
- 0122 Service Instructions, Vitodens 200-W
- 0123 Operating Instructions, Vitodens 200-W
- 0124 Installation Instructions, Coaxial Venting System
- 0125 Installation Instructions, Flexible Venting System
- 0126 Parts List, Vitodens 200-W
- 0127 Parts List, Installation Set
- 0128 Warranty Sheet
- 0150 Conversion kit NG > LP
- 0151 Touch-up spray paint "Vitowhite"
- 0152 Touch-up paint stick "Vitowhite"
- 0153 Lubricant 6g



5682 546 01 6/2015

* For Installation Set please see separate Parts List.

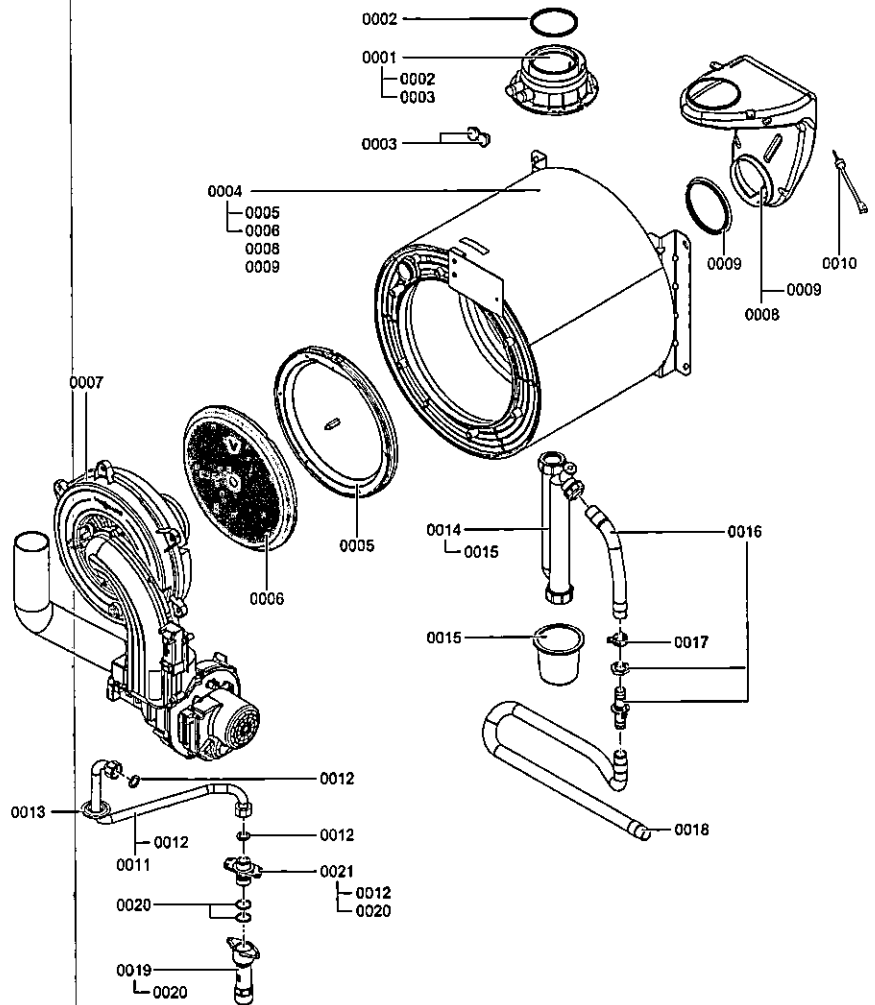
VITODENS 200-W

B2HB Series

Model No.	Serial No.
B2HB 45 Boiler	7554703□□□□□□□□
B2HB 57 Boiler	7554704□□□□□□□□

Parts for Pressure Vessel Assembly

- 0001 Vent pipe adaptor, 80/125
- 0002 Gasket for flue gas, D80
- 0003 Test port cap (set of 2)
- 0004 Heat exchanger assembly
- 0005 Flue baffle
- 0006 Combustion chamber refractory
- 0008 Flue gas collector, with gasket
- 0009 Gasket for flue gas collector
- 0010 Flue gas temperature sensor
- 0011 Gas connection pipe
- 0012 Gaskets, NG/LP (set of 5)
- 0013 Sealing grommet
- 0014 P-trap
- 0015 Grommet for p-trap
- 0016 Condensate drain kit
- 0017 Pipe clamp, DN25 (set of 5)
- 0018 Condensate flex hose (exit)
- 0019 Extension pipe, 1" NPT (gas)
- 0020 O-ring, 24 x 2.5 mm (set of 5)
- 0021 Connector, D21 G $\frac{3}{4}$ ", NG/LP

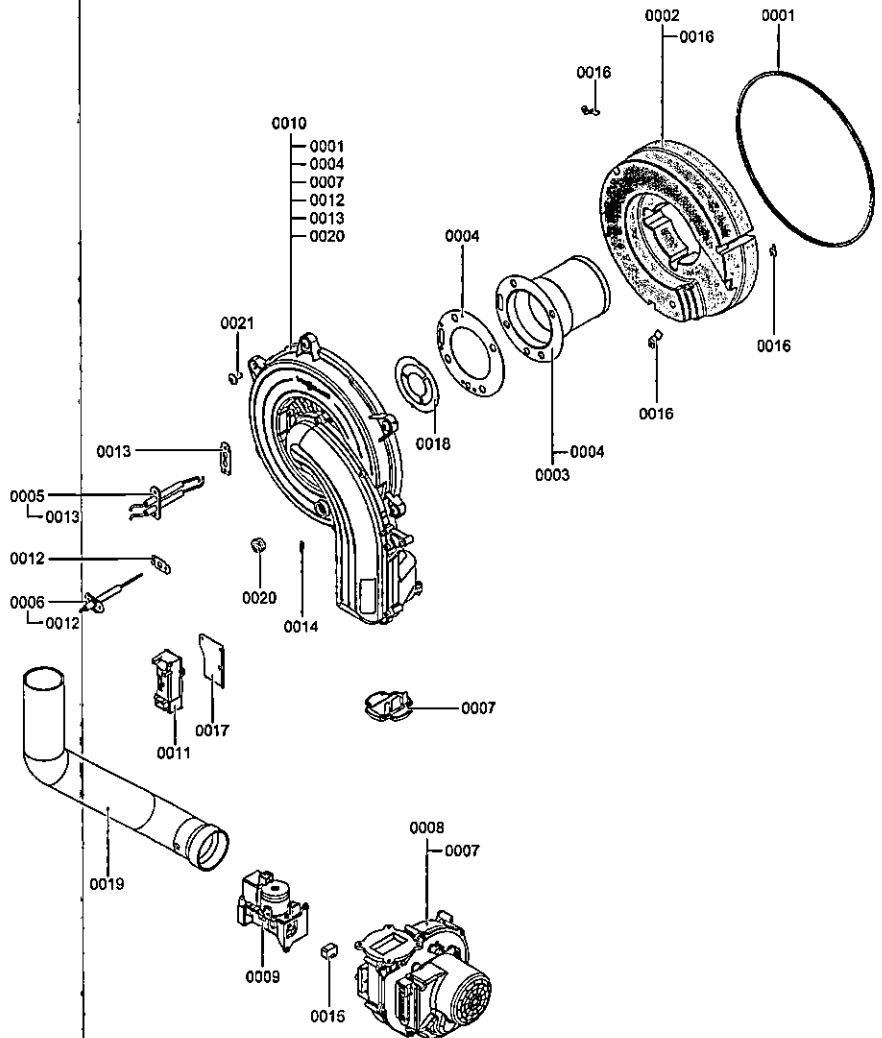


VITODENS 200-W B2HB Series

Model No.	Serial No.
B2HB 45 Boiler	7554703□□□□□□□□□□
B2HB 57 Boiler	7554704□□□□□□□□□□

Parts for Burner Assembly

- 0001 Burner gasket, 299 x 5.6 mm
- 0002 Insulating ring
- 0003 Burner tube
- 0004 Gasket for burner tube
- 0005 Ignition electrode with gasket
- 0006 Ionization electrode with gasket
- 0007 Flapper
- 0008 Radial fan RG148, 120/1/60
- 0009 Gas valve CES10, with gasket
- 0010 Burner mounting flange assembly
- 0011 Ignition module
- 0012 Gasket for ionization electrode
- 0013 Gasket for ignition electrode
- 0014 Ground terminal (set of 10)
- 0015 Orifice
- 0016 Bracket (set of 3)
- 0017 Mounting plate for ignition module
- 0018 Turbulator disc
- 0019 Venturi extension with gasket
- 0020 Sight glass
- 0021 Accessory pack of burner screws (set of 6)



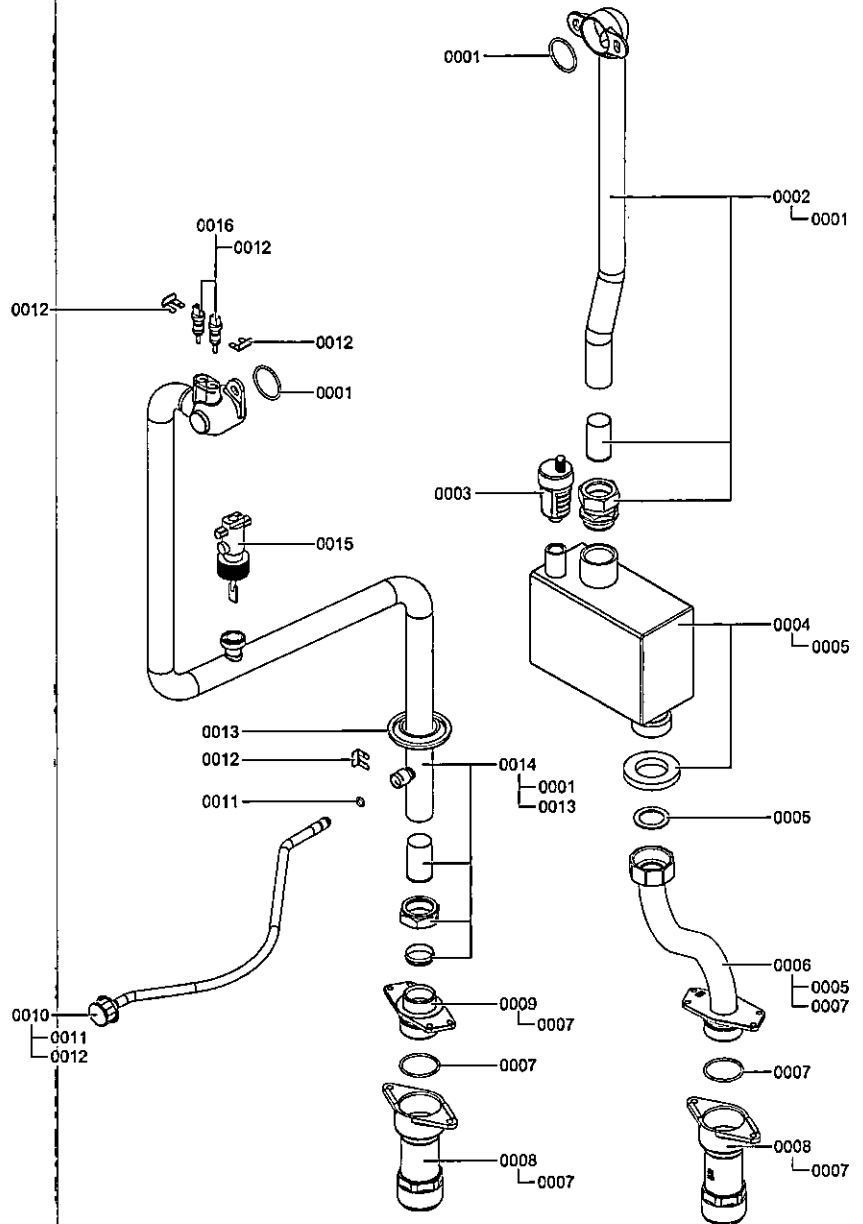
VITODENS 200-W

B2HB Series

Model No.	Serial No.
B2HB 45 Boiler	7554703□□□□□□□□
B2HB 57 Boiler	7554704□□□□□□□□

Parts for Hydronic Assembly

- 0001 O-ring for heat exchanger (set of 3)
- 0002 Connection pipe 1 for heating return
- 0003 Air vent, G3/8"
- 0004 Air bleed header
- 0005 Gasket, 1 1/4" (set of 5)
- 0006 Connection pipe 2 for heating return
- 0007 O-ring for supply/return (set of 5)
- 0008 Extension pipe for supply/return
- 0009 Connector, D32 for heating supply
- 0010 Pressure gage (psi) with clip and gasket
- 0011 O-ring, 8 x 2 mm (set of 5)
- 0012 Clip, d=8 (set of 5)
- 0013 Sealing grommet (each)
- 0014 Connection pipe for heating supply
- 0015 Flow switch, VK332M
- 0016 Boiler temperature sensor (set of 2)



VITODENS 200-W

B2HB Series

Model No.	Serial No.
B2HB 45 Boiler	7554703□□□□□□□□
B2HB 57 Boiler	7554704□□□□□□□□

Parts for Control Assembly

- 0001 Control console
- 0002 Control housing, rear
- 0003 Coding plug
- 0004 Fuse, T6.3A/250V (set of 10)
- 0005 Fuse holder
- 0007 Vitotronic 200 HO1B
- 0008 LON communication module
- 0009 Circuit board (LON module adaptor)
- 0010 Cable harness X8/X9/ionization
- 0011 Cable harness 100/35/54/PE
- 0013 Counter plug, Neptune
- 0014 Strain relief (set of 10)
- 0015 Locking assembly, left/right
- 0016 Outdoor temperature sensor, NTC
- 0017 Circuit board for expanded functions
- 0020 Power/pump control module
- 0021 Replacement extension module, EA1
- 0022 Fuse, 2.0A/250V (pkg of 10)
- 0023 Harness set
for power pump control module

