

Installation Instructions

for use by heating contractor



Burner Filter Kit

for use with Vitocrossal 200 CI2 Boilers

Part # 7946571, 399/500

Part # 7946570, 750/1000

Part # 7946569, 1500

Part # 7946568, 2000

Safety and Installation Requirements

Please ensure that these instructions are read and understood before starting any service work. Failure to comply with these instructions may cause product/property damage, severe personal injury and/or loss of life.

Working on the equipment

The installation, adjustment, service and maintenance of this product must be performed by a licensed professional heating contractor who is qualified and experienced in the installation, service, and maintenance of hot water boilers. There are no user serviceable parts on the boiler, burner or control.

Ensure that main power to the equipment being serviced is off.

Ensure that the main fuel supply valve to the boiler is closed.

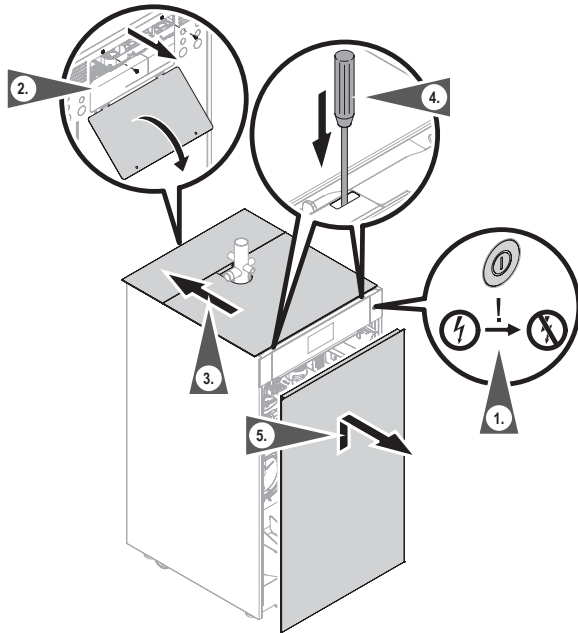
Take precautions to avoid accidental activation of power or fuel during service work.

Do not perform service work on any component part without ensuring safe operation of the heating system. When replacing parts, use original Viessmann or Viessmann approved replacement parts.



Refer to the Installation Instructions applicable to this boiler.

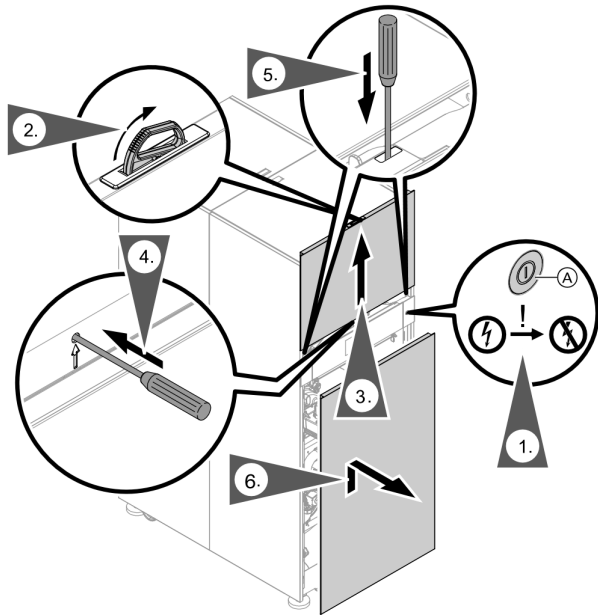
Preparing the Boiler (CI2 399 to 1000)



CI2 399 to 1000

1. Turn the power switch off and disconnect the power supply to the boiler close gas shutoff valve.
2. Remove junction box retaining screws and set aside, swing the junction box access door to open.
3. Push back top panels to access the front panel release (top panel removal is not required).
4. Using a screwdriver push down on the front panel releases.
5. Pull forward at the top of the front panel and lift up to remove.

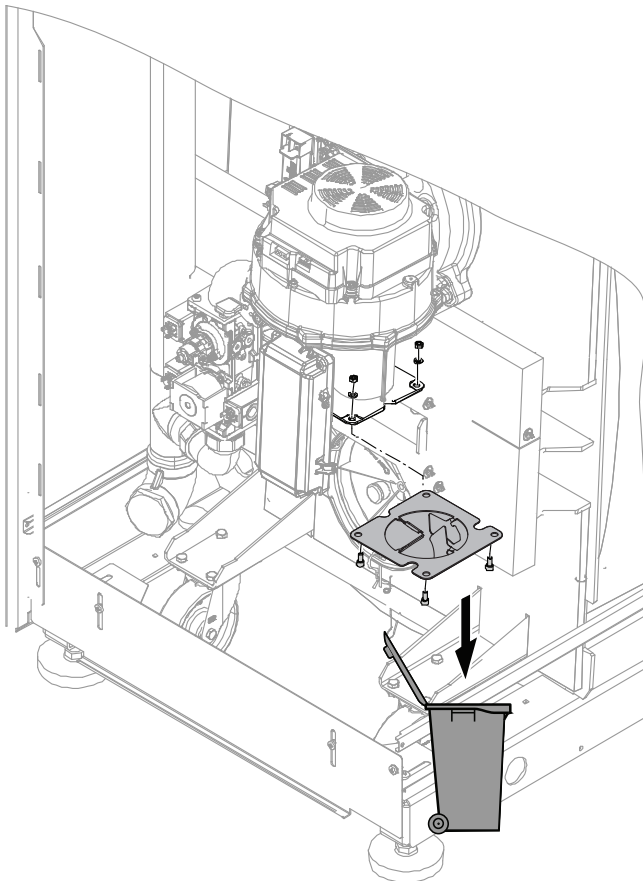
Preparing the Boiler (CI2 1500/2000)



1. Shut off and disconnect the boiler power supply.
2. Flip up the handle in the top panel.
3. Using the handle, pull straight up.
4. Using a screw driver, push in on the panel retaining clip while pulling up on the handle to remove the panel (the location is donated by an up arrow in the panel).
5. Using a screwdriver push down on the front panel release.
6. Pull forward at the top of the front panel and lift up to remove.

CI2 1500/2000

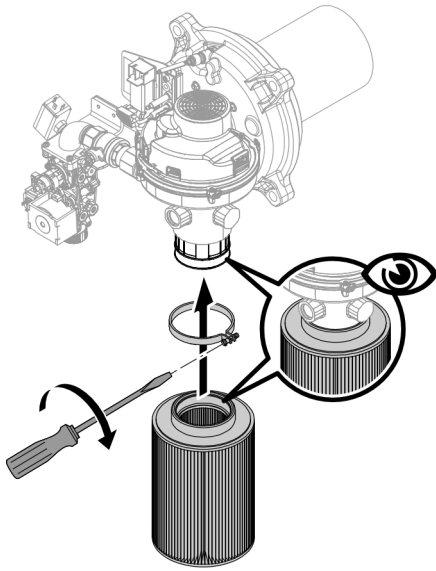
Removing the Burner Baffle Plate



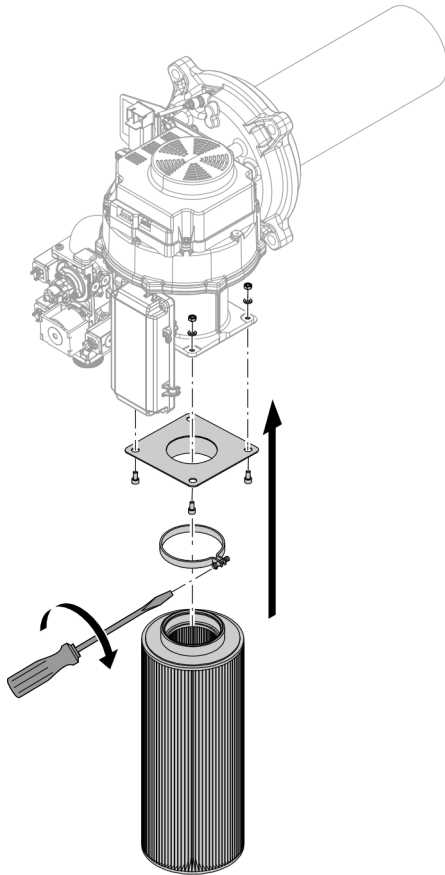
1. For 750/1000 MBH burners only, remove burner baffle plate, and discard.
- Note:** The CI2 2000 is equipped with two 1000 MBH burners.

Installing the Burner Filter

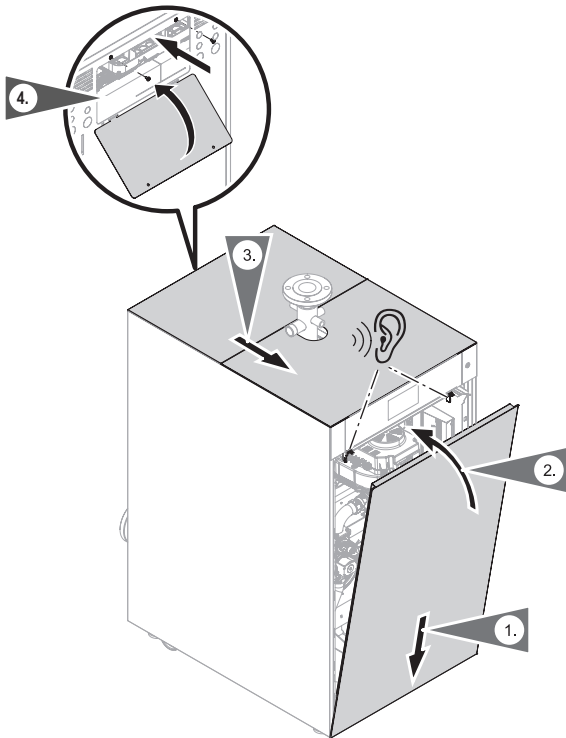
399/500 MBH burners



750/1000 MBH burners

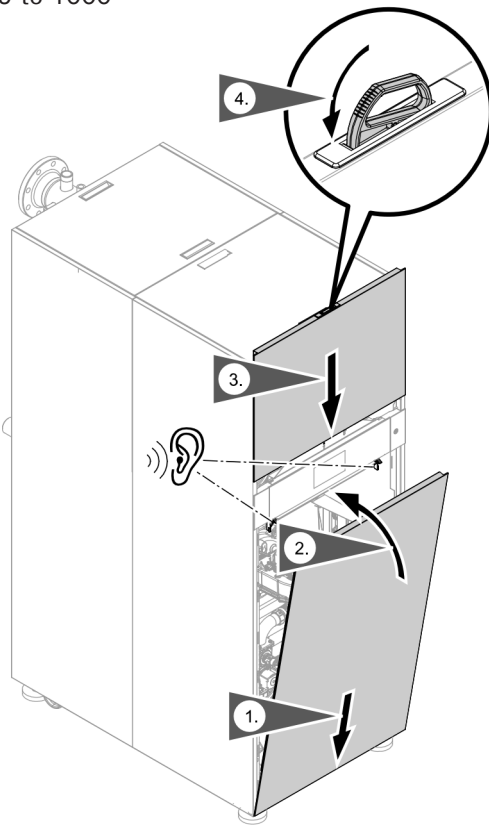


Closing the Boiler



1. Place the bottom of the front panel on the front sill.
2. Push in the top of the front panel until you hear a click.
3. Pull back the top panels.
4. Close the junction box access door and reinstall retaining screws.

CI2 399 to 1000



1. Place the bottom of the front panel on the front sill.
2. Push in the top of the front panel until you hear a click.
3. Slide the top front panel into position.
4. Flip down the top panel handle.

CI2 1500/2000

Scan for a digital copy of this document



Viessmann Manufacturing Company Inc.
750 McMurray Road
Waterloo, Ontario • N2V 2G5 • Canada
TechInfo Line 1-888-484-8643
1-800-387-7373 • Fax (519) 885-0887
www.viessmann.ca • info@viessmann.ca

Viessmann Manufacturing Company (U.S.) Inc.
45 Access Road
Warwick, Rhode Island • 02886 • USA
TechInfo Line 1-888-484-8643
1-800-288-0667 • Fax (401) 732-0590
www.viessmann-us.com • info@viessmann-us.com